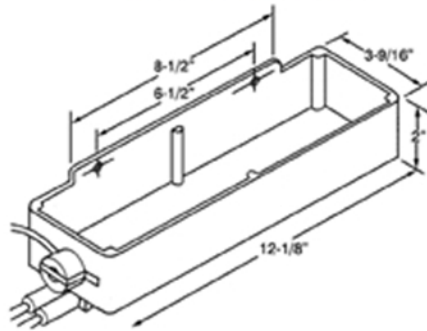


PR 35 Condensation Evaporator Pan

Die Cast Aluminum



ITEM SCHEMATIC



ITEM DESCRIPTION

CONDENSATION PANS: Premco Condensate Evaporator Pans eliminate the need for floor drains. The unit is made of die cast aluminum. The resulting hard, brilliant surface gives the pan unequalled efficiency and trouble-free operation. The unit's heating element is sealed in 1/4" Bundyweld tubing and is equipped with our at 72 degrees room temperature. Holds 40 oz. Available with or without thermostat. 120 or 240 volt.

Part#	Description
PR35120w/t	Die Cast Aluminum Pan 120v, 35oz., w/ Thermostat
PR35240w/t	Die Cast Aluminum Pan 240v, 35oz., w/ Thermostat
PR35120	Die Cast Aluminum Pan 120v, 35oz., w/ Thermostat
PR35240	Die Cast Aluminum Pan 240v, 35oz., w/ Thermostat