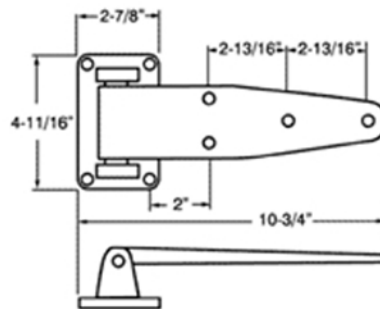


PR 9 Non-Lift Hinge Seriess

Polished Aluminum Finish



ITEM SCHEMATIC



ITEM DESCRIPTION

PR 9 NON-LIFT HINGE: This heavier and stronger hinge offers lasting quality in this line. These hinges are for use on either right or left doors. Premco hinges stand up under constant usage and all conditions. The bronze oilite brushings offer lifetime lubrication and silent performance. Available in polished chrome finish on special order.

Part#	Description
PR9-F	Die Cast Alum. Base & Blade, Non-Lift Hinge, w/ Flush Offset.
PR9-1 1/8	Die Cast Alum. Base & Blade, Non-Lift Hinge, w/ 1-1/8 " Offset.
PR9-1 1/4	Die Cast Alum. Base & Blade, Non-Lift Hinge, w/ 1-1/4" Offset.
PR9-1 3/8	Die Cast Alum. Base & Blade, Non-Lift Hinge, w/ 1-3/8 " Offset.
PR9-1 1/2	Die Cast Alum. Base & Blade, Non-Lift Hinge, w/ 1-1/2" Offset.
PR9-1 5/8	Die Cast Alum. Base & Blade, Non-Lift Hinge, w/ 1-5/8 " Offset.