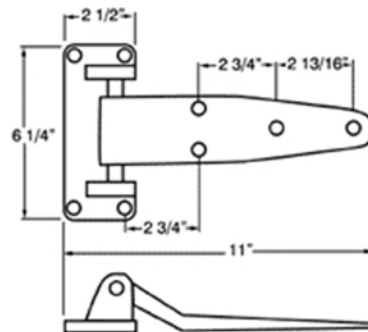


# PRC 9 Cam-Lift Hinge Series

Polished Aluminum Finish



## ITEM SCHEMATIC



## ITEM DESCRIPTION

**PRC 9 CAM-LIFT HINGE:** This heavier and stronger hinge offers lasting quality in this line. These hinges are for use on either right or left doors. Premco hinges stand up under constant usage and all conditions. Available in polished chrome finish on special order.

Part#	Description
PRC9-F	Die Cast Aluminum Base & Blade, Cam-Lift Hinge, w/ Flush Offset.
PRC9-1 1/8	Die Cast Aluminum Base & Blade, Cam-Lift Hinge, Steel Strap, w/ 1-1/8 " Offset
PRC9-1 1/4	Die Cast Aluminum Base & Blade, Cam-Lift Hinge, Steel Strap, w/ 1-1/4" Offset
PRC9-1 3/8	Die Cast Aluminum Base & Blade, Cam-Lift Hinge, Steel Strap, w/ 1-3/8 " Offset
PRC9-1 1/2	Die Cast Aluminum Base & Blade, Cam-Lift Hinge, Steel Strap, w/ 1-1/2" Offset.
PRC9-1 5/8	Die Cast Aluminum Base & Blade, Cam-Lift Hinge, Steel Strap, w/ 1-1/2" Offset.